

AIR-SEAL FOOT SWITCH



IPXX MASTER ACTUATOR

IPOO SNAP SWITCH

WORLD-CLASS
QUALITY

UNMATCHED
VERSATILITY



AIR-ACTUATED
WATERTIGHT
LONG LIFE

AT HOME IN ANY ENVIRONMENT, WET OR DRY, THE AIR-SEAL AIR FOOT SWITCH PROTECTS YOUR CRITICAL

electrical components. AIR-SEAL offers you the benefit of isolating the electrically live snap switch from the floor, which also offers environmental protection. Other benefits include long, trouble-free,

life and suitability for a wide range of applications. Mount the AIR-SEAL in the LINEMASTER Full Guard #522-B14 for those applications requiring full guarding of the foot switch pedal. A twin version and Full Twin Guard are also available.

Combining a foot-operated air bulb mounted in our strong, steel COMPACT housing with a remotely located air-operated


electric snap switch, the AIR-SEAL is available in either momentary or maintained versions, with SPDT snap switch. A 10 foot 1/8" ID PVC tubing connects the foot pedal to the remote air switch, which is equipped with a 9/16" NF bulkhead mount. The tubing is connected at the foot switch end using a molded-on strain relief grommet to provide superior pull-out protection.

STAY HIGH AND DRY



WITH THE AIR-SEAL FOOT SWITCH SERIES FROM

CONSIDER THE FEATURES AND BENEFITS AIR-SEAL OFFERS YOU:

Developed for reliable operation in a variety of environments, AIR-SEAL conforms to  standards.



All steel housing protects air bulb.



Tubing used is reinforced and connected to the foot switch with a molded grommet for pull-out protection.



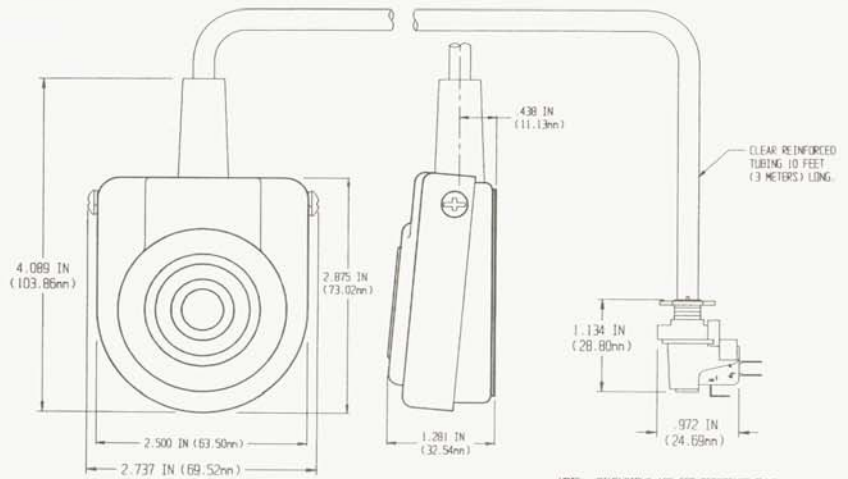
Remote switch has bulkhead mounting provisions.



Wide operating temperature range.



Twin models available.



SIZE:
2.9" X 2.5" X 1.3"

WEIGHT: APPROX.
1.0 LBS. (0.45 KGS.)





The AIR-SEAL can be mounted in a full guard.



Medical grade tubing is available.

SPECIFICATIONS

Special variations are available to the O.E.M. on special order on models listed below.

	AIR-SEAL CATALOG NUMBER	DESCRIPTION	CIRCUIT	OPERATING TEMPERATURE RANGE
	41SH12	MOMENTARY	SPDT	10°F TO 120°F*
	41DH12	MAINTAINED	SPDT	10°F TO 120°F*
	TWIN 41SH12	TWIN AIR-SEAL UNIT WITH BASE PLATE		
	522-B14	FULL GUARD		
	522-B12	FULL TWIN GUARD		

Please consult factory for pricing and availability.

*The operating temperature range will vary with different lengths of tubing. Please consult the factory for details.

ELECTRICAL RATINGS:

20 A 125-250 VAC

1 H.P. 125 VAC

2 H.P. 250 VAC

AMERICA'S
FOOT SWITCH
LEADER



860-974-1000

WOODSTOCK, CT